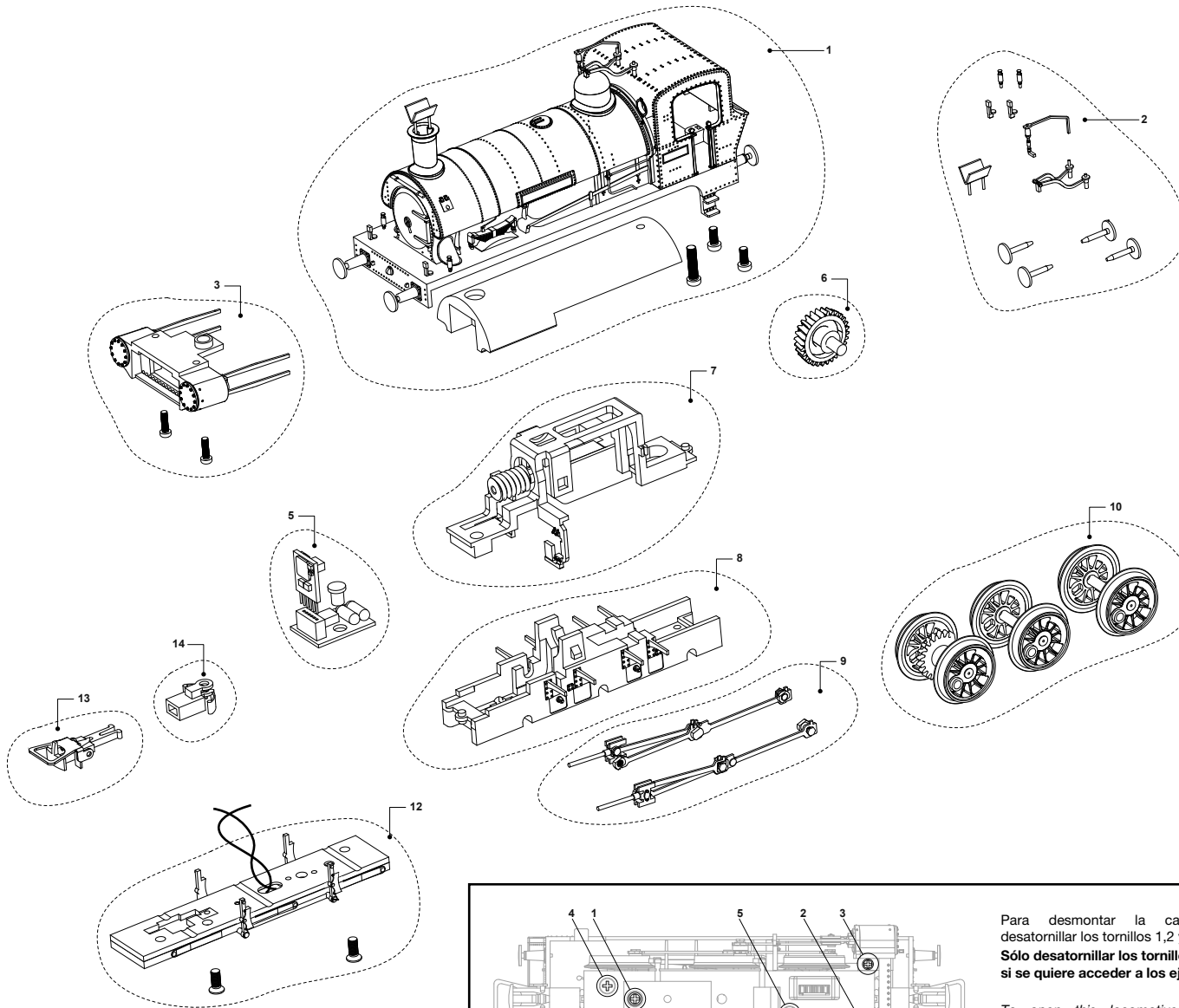


## LISTA DE RECAMBIOS / LIST OF SPARES

| Nº Artículo<br>Item No | Descripción<br>Description  | Ref. repuesto<br>Spare part ref. |
|------------------------|---|----------------------------------|
| 1                      | Carrocería<br>Bodyshell   | ER0035/01                        |
| 2                      | Set accesorios carrocería<br>Bodyshell accessories set                          | ER0035/02                        |
| 3                      | Pistones<br>Pistons   | ER0035/03                        |
| 5                      | Circuito impreso<br>Printed circuit board                                       | ER0035/05                        |
| 6                      | Engranaje con eje<br>Gear with axle   | ER10100/06                       |
| 7                      | Set motor<br>Motor set  | ER0035/07                        |
| 8                      | Bloque bastidor<br>Chassis  | ER0035/08                        |
| 9                      | Set de bielas<br>Rods set   | ER10100/09                       |
| 10                     | Set de ruedas<br>Wheel sets   | ER0032/10                        |
| 12                     | Base bastidor con tomas de corriente<br>Chassis bottom include current pick-ups | ER0035/12                        |
| 13                     | Enganche<br>Coupling  | ER058                            |
| 14                     | Caja enganche (x2)<br>Coupler box (x2)  | ER10100/14                       |



Para desmontar la carrocería, desatornillar los tornillos 1, 2 y 3. **Sólo desatornillar los tornillos 4 y 5, si se quiere acceder a los ejes.**

To open this locomotive please remove the screws 1, 2 and 3. **Do not remove the screws 4 and 5 unless you want to remove the wheel sets.**